

## 十路 IO 控制器

### Dry Contact Switch Module

#### P-A-2S3A10-DT



可支援 4 路乾接點訊號輸入(DI1-DI4) · 4 路集電極開路輸出(DO1-DO4) · 2 路乾接點輸出(DO5、DO6)。DI1-DI4 可與普通復位開關、自鎖開關、插卡取電設備、門窗磁等可輸出乾接點訊號的產品搭配使用；DO1-DO4 可用於擴展繼電器或 LED 控制；DO5、DO6 可以控制燈具、電機、門鎖等。結合網關、APP 配置，實現告警上報、本地控制和情境模式等功能。

It can support 4 channels of dry contact signal input (DI1-DI4), 4 channels of dry contact output signal (DO1-DO4) for DC, and 2 channels of dry contact output (DO5, DO6) for AC. DI1-DI4 can be used with products that can output dry contact signals such as ordinary reset switches, self-locking switches, plug-in power devices, door and window magnets, etc.; DO1-DO4 can be used to expand relays or LED control; DO5 and DO6 can control lights, motors, door locks, etc. Combined with gateway and APP configuration, it realizes functions such as alarm reporting, local control and scene mode.

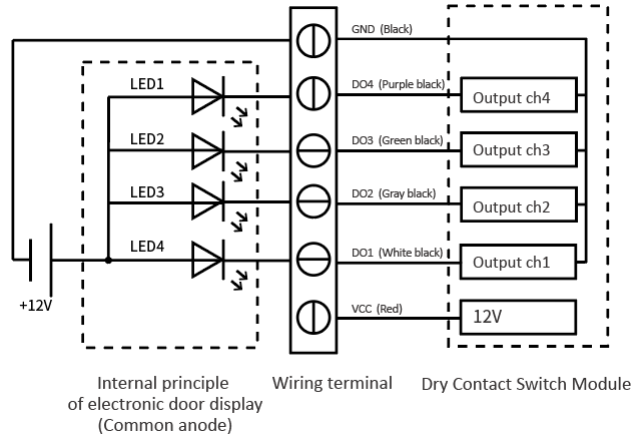
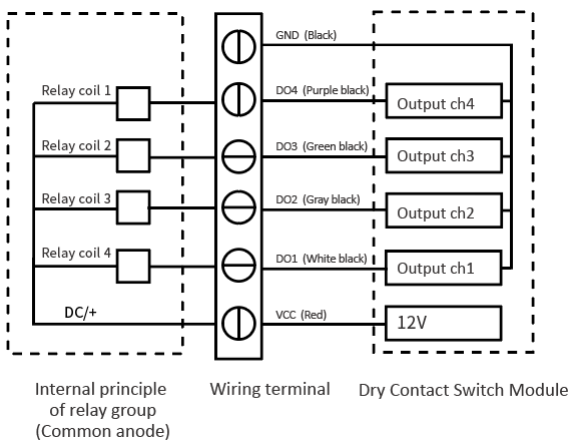
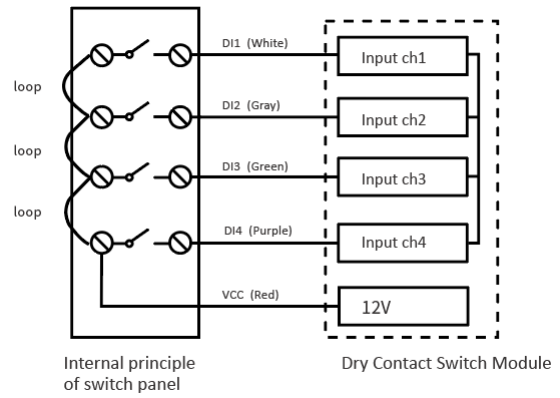
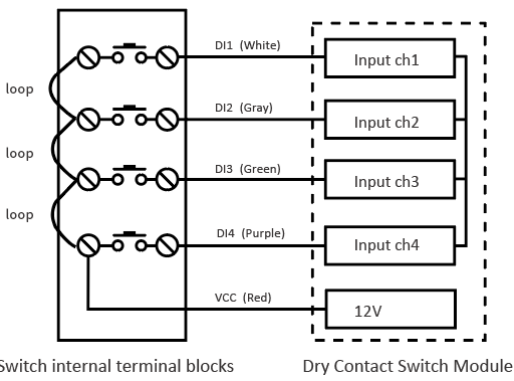
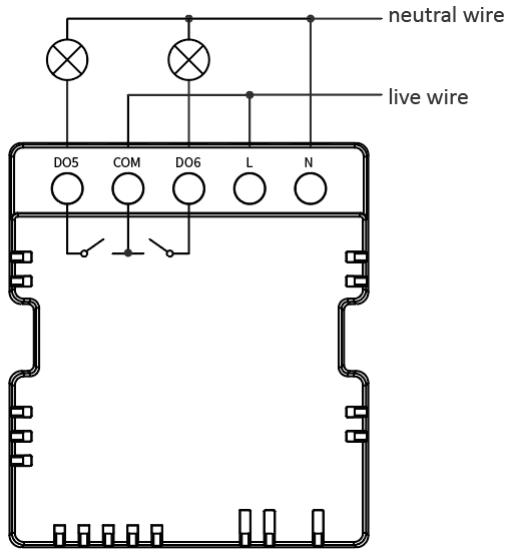
#### 性能特點/ Features

- 電力線載波通訊/支援電力線線上升級
- 整合 2 路繼電器輸出 · 4 路集電極開路輸出和 4 路乾接點訊號輸入
- 支援 12V 電源輸出
- 狀態同步
- 超載保護
- Power line communication/Supports OTA upgrade
- Integrate 2 relay outputs, 4 open collector outputs and 4 dry contact signal inputs
- Supports 12V power output
- Status synchronization
- Overload protection

#### 技術參數/ Specifications

- 工作電壓：AC 100V ~ 240 V
- 工作頻率：50/60Hz
- 待機功耗：小於 0.5W
- 通訊方式：電力線載波
- 工作溫度：-10°C ~ 55°C
- 工作濕度：10%RH ~ 85%RH
- 乾接點輸出：2 路 ( 共用公共端 )
- 負載類型：燈具、電機、陽極鎖、電磁鎖等
- 外型尺寸(L\*W\*H)：66.5\*59\*24.5mm
- Operating voltage: AC 100V~240V
- Operating frequency: 50/60Hz
- Power consumption: < 0.5W
- Communication: Power line communication (PLC)
- Ambient temperature: -10°C ~55°C
- Ambient humidity: 10%RH ~ 85%RH
- Dry contact output: 2 channels (shared common terminal)
- Load type: lights, motors, anode locks, electromagnetic locks, etc.
- Dimensions(L\*W\*H): 66.5\*59\*24.5mm

**接線圖/ Wiring Diagram**



**訂貨型號/ Order Model**

P-A-2S3A10-DT