

乾接點開關模組

Dry Contact Switch Module

P-A-3S5A-DT



乾接點開關，最多可支援 4 路乾接點訊號輸入，4 路 LED 指示燈，3 路本地開關控制。可與普通機械開關、開關面板、SOS 設備、插卡取電設備、燃氣報警器設備、門窗磁簧等可輸出乾接點訊號的產品搭配使用，結合網關，APP 配置，實現告警回報、本地控制和情境模式等功能。

Dry contact switch module can support up to 4 dry contact signal inputs, 4 LED indicators, and 3 local switch control. It can be used with ordinary mechanical switches, switch panels, SOS equipment, card power-taking equipment, gas alarm equipment, door and window magnetic reed switch and other products that can output dry contact signals. Combined with gateway and APP configuration, it can realize alarm return and local functions such as control and scene mode.

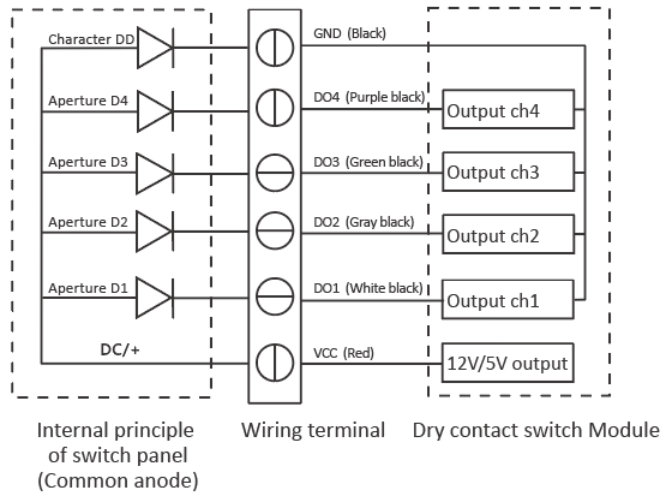
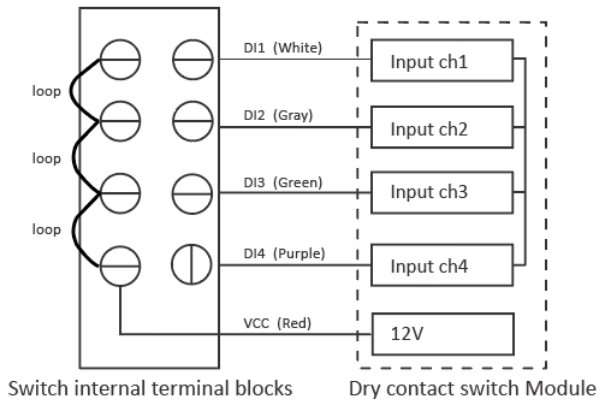
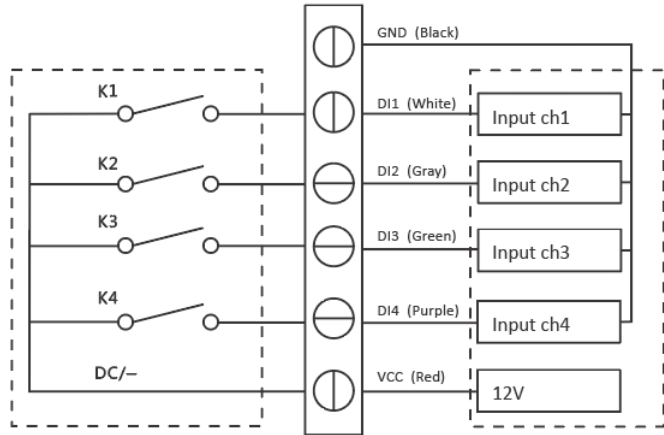
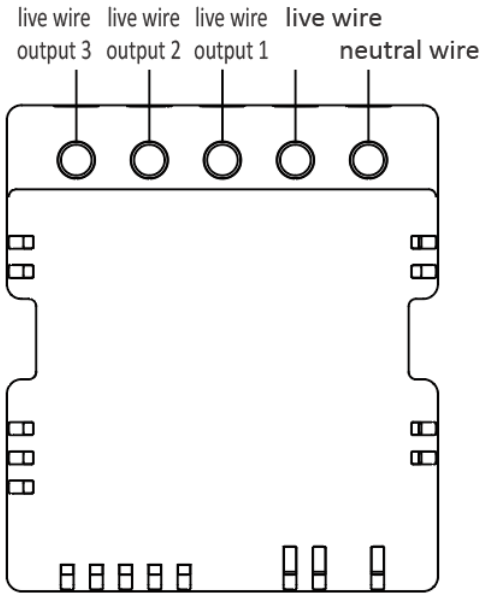
性能特點/ Features

- 體積小，86 盒嵌入式安裝
- 電力線載波通訊/支援電力線線上升級
- 三路本地控制/狀態同步
- 超載保護
- Small size, 86 boxes embedded installation
- Power line communication/Supports OTA upgrade
- 3-CH local control/status synchronization
- Overload protection

技術參數/ Specifications

- 工作電壓：AC 100V ~ 240V
- 工作頻率：50/60Hz
- 待機功耗：小於 0.6W
- 通訊方式：電力線載波
- 工作溫度：-10°C ~ 55°C
- 工作濕度：10%RH ~ 85%RH
- 外型尺寸(L*W*H)：66.5*59*24.5mm
- Operating voltage: AC 100V~240V
- Operating frequency: 50/60Hz
- Power consumption: < 0.6W
- Communication: Power line communication (PLC)
- Ambient temperature: -10°C ~55°C
- Ambient humidity: 10%RH ~ 85%RH
- Dimensions(L*W*H): 66.5*59*24.5mm

接線圖/ Wiring Diagram



訂貨型號/ Order Model

P-A-3S5A-DT